

884 MC THREE-PHASE

for sliding gates
with max weight of 3.500 kg



■ Steel housing

■ Door with key lock

■ Designed for industry

The FAAC 884 gearmotor was designed to move the heaviest industrial gates in the simplest and safest way. "Industrial" duty is assured by the gearmotor's exceptional performance, enabling intensive use frequency also for gates weighing 3.500 kg.

■ The character of steel

The special twin-disk clutch, in oil bath, enables drive torque adjustment from 0 to 155 daN. The steel housing - cataphoresis treated and polyester painted - is highly resistant to any environmental aggression, offering reliability to meet the most severe demands.

■ Intelligent technology

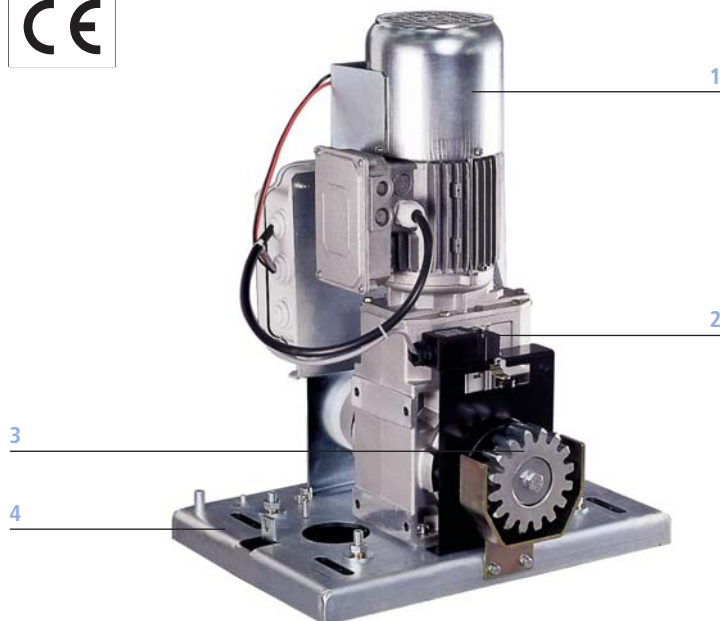
Automation is controlled by a high-tech control board with microprocessor, which controls all the necessary functions and is designed for connection to control, safety and signalling devices.

■ Guaranteed long-life

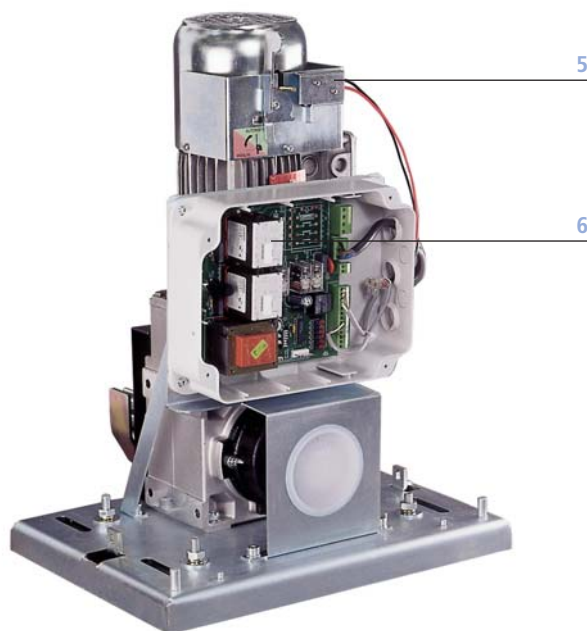
Constant oil-bath lubrication of mechanical components plus assembly in a high resistance pressure-cast enbloc aluminium body ensure extremely long operator life.

■ Irreversible

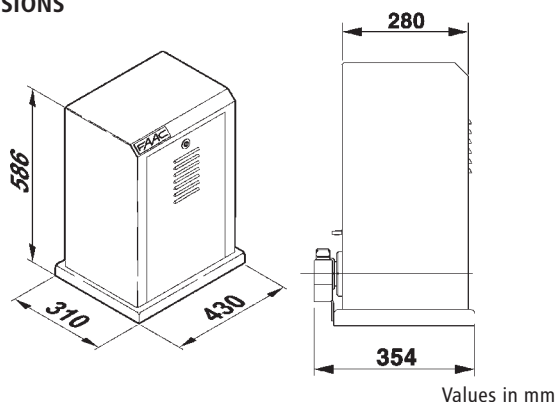
In case of emergency, the braking device guarantees leaf stop within very limited space, thus improving anti-crushing safety. The device also ensures the gate stays closed, so there is no need to install electric locks or bolts. In case of a power failure, a special key-protected release lever allows the gate to be opened and closed manually.



- 1 Self-braking electric motor
- 2 Mechanical limit-switch
- 3 Pinion Z16 M6
- 4 Base with adjusting screws
- 5 Release lever with safety microswitch
- 6 884 T control board



DIMENSIONS



| Technical specifications | 884 MC THREE-PHASE |
|-------------------------------|--|
| Power supply | 230 Vac 3ph (+6% -10%) 50 (60) Hz 400 Vac 3ph (+6% -10%) 50 (60) Hz |
| Absorbed power | 850 W |
| Absorbed current | 2.7 A(230V) - 1.6 A(400V) |
| Torque | from 0 to 155 Nm |
| Motor rotation speed | 1.400 rpm |
| Reduction ratio | 1:43.2 |
| Operating ambient temperature | -20°C ÷ +55°C |
| Weight | 50 kg |
| Protection class | IP 55 |
| Type of oil | FAAC oil XD 220 |
| Gate speed | 10 m/min (Z16) |
| Limit-switch | With lever and roller microswitch |
| Clutch | Twin disk in oil-bath |

| Specifications of 884 T control board | |
|---------------------------------------|---|
| Power supply | 230 Vac 3ph (+6% -10%) 50 (60) Hz 400 Vac 3ph+N (+6% -10%) 50 (60) |
| Motor maximum load | Hz |
| Accessories output | 1300 W |
| Operating ambient temperature | 24 Vdc 500 mA max -20°C ÷ +55°C |
| Power supply to indicator-light | 24 Vac (5W max) |
| Two protection fuses | 5 A transformer 1.6 A accessories |
| Safety timer | 255 sec. |

Inputs - Open, partially open, stop, closing safety devices, limit-switch
Outputs - Indicator-light, flashing lamp, motor, 24 Vdc power supply for accessories
Programming - Pause time (5/10/15/30/60/120/180 sec.), logics A1/A2/S1/S2/E1/E2/B/C, pre-flashing.

| Model | Use | | Control board |
|--------------------|-----------------|-----------------------------|----------------|
| | Max weight (kg) | Use frequency (cycles/hour) | |
| 884 MC THREE-PHASE | 3.500 | 50 100 (2.000 kg) | 884 T included |