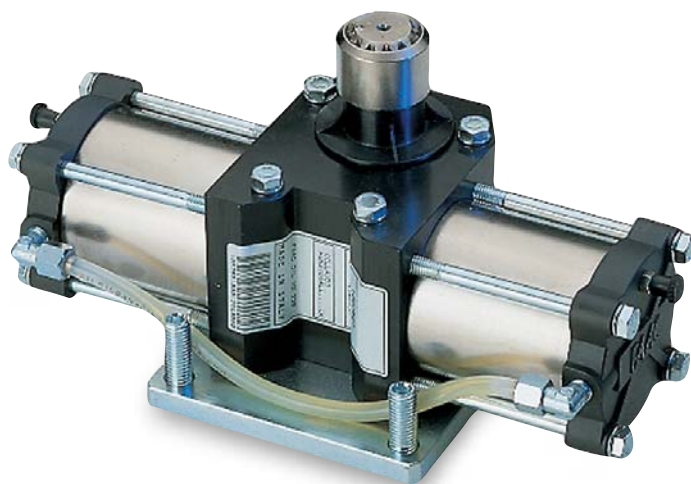


# 750 STANDARD

for residential and light commercial swing gates with single leaf max weight of 800 kg



■ Hydraulic jack

■ Side flange

## ■ Expertly versatile and invisible

The FAAC 750 offers a range of 3 different operators with or without hydraulic locking designed to automate swing gates up to 3.5 metres per leaf. The underground system is invisible and silent, and is the ideal solution for artistically valuable old gates and portals.

## ■ Very powerful and mechanically efficient

The whole 750 range can easily automate gates with leaves weighing up to 800 kg each. The system consists of a sturdy, compact, underground drive unit, and a hydraulic pump unit available in three different models. All components are integrated in a hydraulic circuit providing continuous lubrication and cooling.

## ■ Safe both inside and out

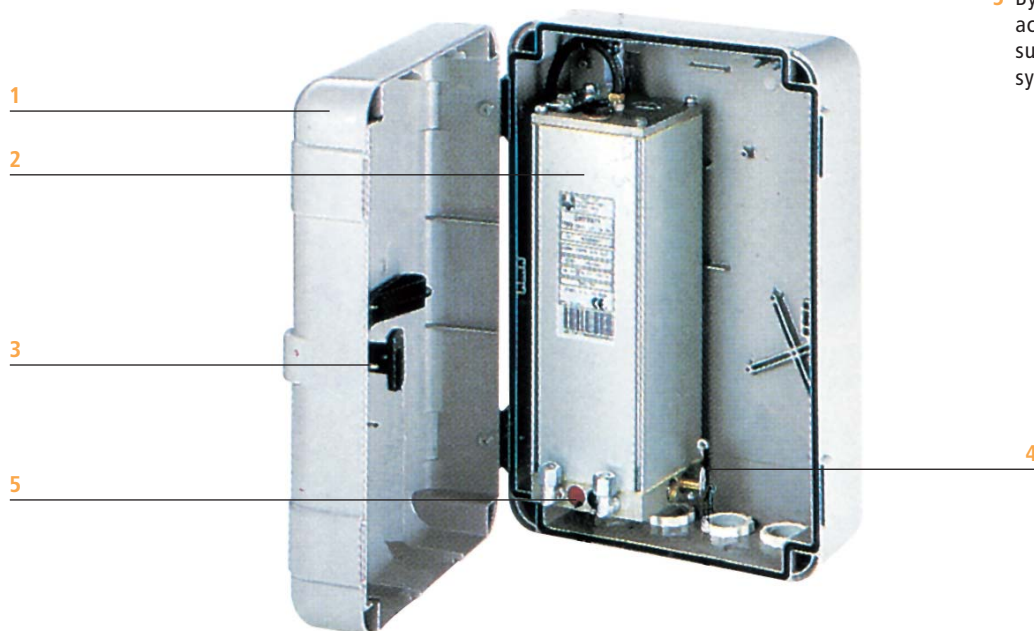
The exclusive hydraulic device, ensuring maximum anti-crushing protection, features two highly sensitive by-pass valves. In case of an emergency, a key-protected release device, in an easy-to-access position, makes it possible to operate the gate manually. The power of hydraulic locking gives the system exceptionally high resistance against break-in attempts.

## ■ Constant performance through time

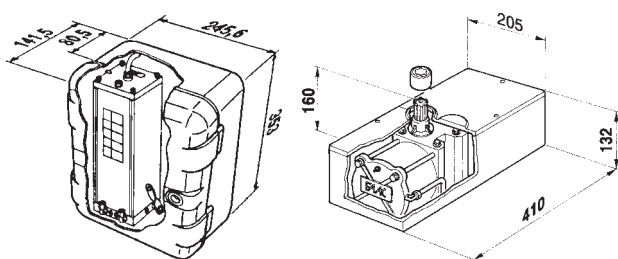
Reliability is assured under all atmospheric conditions and at extreme temperatures in the range -40° C to +55° C. And that's not all - the FAAC hydraulic device requires very little maintenance and has another advantage too: it's low on electrical power consumption.



- 1 Hydraulic pump unit enclosure (option)
- 2 Hydraulic pump unit
- 3 Enclosure lock
- 4 Manual release
- 5 By-pass valves (cannot be accessed thanks to the supplied "tamper-proof" system)



## DIMENSIONS



Values in mm

Technical specifications of hydraulic jack	100° opening	180° opening
Rotation maximum angle	118°	200°
Effective torque	272 Nm (750 SBS)	543 Nm (750 CBAC-SB)
Angular velocity	5,2°/s (750 SBS) - 7,8°/s (750 CBAC-SB)	
Protection class	IP 67	

Technical specifications of hydraulic pump unit	750 CBAC	750 SB	750 SBS
Power supply	230 Vac (+6% -10%) 50 (60) Hz		
Absorbed power	220 W		
Absorbed current	1 A		
Motor rotation speed	1400 rpm		960 rpm
Pump flow rate	0,75 l/min		0,5 l/min
Operating ambient temperature	-40°C ÷ +55°C		
Protection class	IP 55		
Thermal protection on motor winding	120°C		
Weight	7 kg		
Type of oil	FAAC HP OIL		

Model	Use			
	Single leaf max length (m)	Single leaf max weight (kg)	No. of leaves	Use frequency (cycles/hour)
Pump unit 750 CBAC	1,80	/	1	45
Pump unit 750 SB	2,50	/	1	45
Pump unit 750 SBS	3,50	/	1	30
100° opening jack	/	800	1	/
180° opening jack	/	800	1	/

Electronic control equipment: see from page 124 to page 130.