

390 - 24 Vdc

for residential swing-leaf gates
length of single-leaf 1.8 m (3m with electric lock)
for bi-folding doors
with 1.5 m maximum width of single panel



■ Quick and easy to install

Quick and easy to install, no need for expensive modifications to the existing load bearing structure.

■ The ideal choice for large pillars

The FAAC 390 - 24 Vdc electro-mechanical actuator is the most practical and economic choice for automating gates on large pillars. The non reversing movement of the actuator, for gates with length of up to 1.8 metres, means an electrical lock is not needed.

■ Electronic safety

Anti-crushing protection is ensured by an electronic device installed on the FAAC 424 D LS control boards, which directly controls drive torque. In case of an emergency, the release key makes it possible to operate the gate manually.

■ Less maintenance, highly reliable

The FAAC 390 - 24 Vdc electro-mechanical device cuts down considerably on maintenance. Reliability is assured under all atmospheric conditions and in an outdoor temperature range of -20°C to +55°C.



■ ABS housing



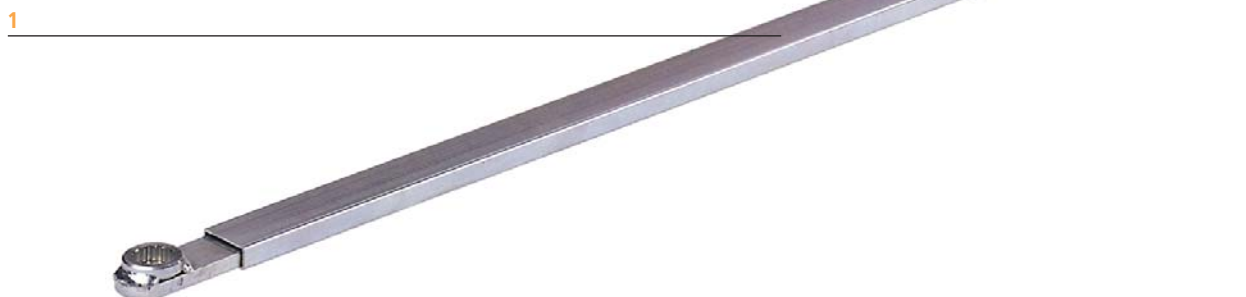
■ Articulated arm for swing-leaf gates



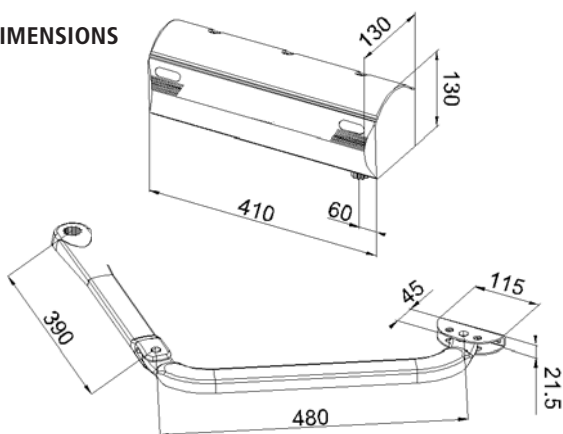
■ Front fitting



1 Telescopic arm for bi-folding doors with 1.5 m maximum width of single panel



DIMENSIONS



Values in mm

Technical specifications	390 - 24 vdc
Power supply	24 Vdc
Absorbed power	40 W
Absorbed current	2 A
Motor rotation speed	960 rpm
Rotation ratio	1:700
Angle speed	8°/s
Max torque	200 Nm
Thermal protection on motor winding	140°C
Operating ambient temperature	-20°C ÷ +55°C
Protection class	IP 44
Weight	11,5 kg

Specifications of 424 D LS control board	
Supply voltage of transformer	230 Vac (+6% - 10%) 50 Hz
Supply voltage of control unit	22 Vac (+6% - 10%) 50 (60) Hz
Absorbed power	3 W
Motor max load	2 x 70 W
Accessories max load	24 Vdc 500 mA
Flashing lamp/Courtesy light max. load	24 Vdc 15 W max
Operating ambient temperature	-20°C ÷ +55°C
Protection fuses	4
Function logics	Automatic/Stepped automatic/Semiautomatic/Stepped semi-automatic/Condo type
Thrust force	Four levels adjustable on display
Opening/closing time	Through self-learning during programming
Pause time	Through self-learning during programming
Leaf delay	2 levels
Decelaration	Opening/closing
Enclosure dimensions	305x225x125 mm
Protection class	IP 55

Terminal board inputs - Power supply 24 Vac/Battery supply/Encoder/Total opening/ Pedestrian opening/Opening-closing safety devices/Stop/Opening-closing limit-switch

Terminal board outputs - 24 Vdc power supply to accessories/24 Vdc motors/24 Vdc courtesy light-flashing lamp/12 Vdc/Vac Electric lock

Rapid connector - Card receivers/Decoding cards

Model	Use			Control board
	Single-leaf max. width (m)	No. of leaves	Use frequency (cycles/hour)	
390 - 24 Vdc	1,80 (3 m with electric lock)	1	Continuous duty	Not Included